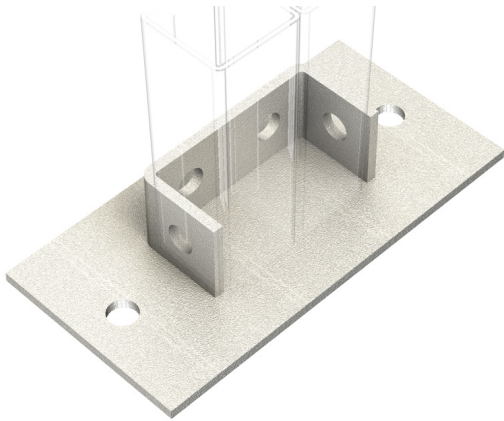


PRODUCT CODE: MP35
CHANNEL BRACKET



DESCRIPTION

Double Channel Base Plate

FINISH

Hot Dipped Galvanised

MATERIAL

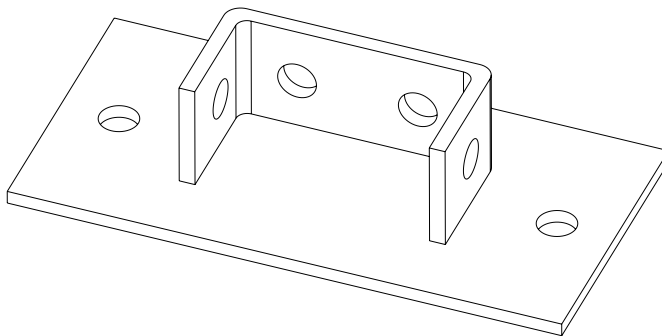
Steel

PACKAGING

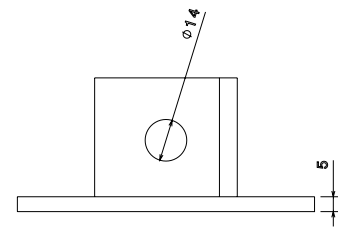
Packed in qty 5

ADDITIONAL NOTES

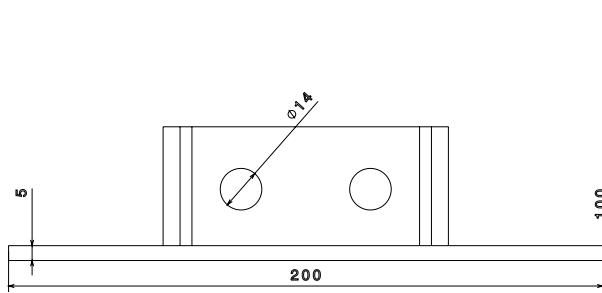
Compliant to LU Standard 1-085 (for use on surface & sub-surface locations)



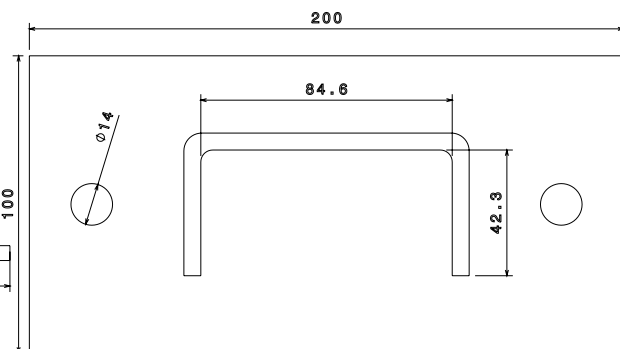
Isometric view



Side View



Front view



Top view